



MAZDA CX-5

ZOOM-ZOOM

We explore cities and winding country roads.

Corners hugged and throttles revved.

Windows down, radio loud, no particular place to go.

Always forward, defying the wind.

I am the embodiment of Jinba Ittai.

You, the heart behind the wheel.

We were always meant to connect,

like a horse and rider,

car and driver as one.

Together, we are stronger.

We have a bond that words alone cannot describe.

We never drive alone.

We drive together.





Model shown is Mazda CX-5 165ps 2WD Sport Nav+ Petrol with optional Soul Red Crystal Metallic paint available at additional cost.



Model shown is Mazda CX-5 184ps AWD Sport Nav+ Diesel with optional Soul Red Crystal Metallic paint available at additional cost.



AWAKEN THE DRIVER IN YOU

When you drive a Mazda you never drive alone. This feeling of togetherness is something we call Jinba Ittai and it runs deep in Mazda CX-5. Superior craftsmanship and innovative SKYACTIV Technology improve responsiveness and enhance driving pleasure, building an enduring relationship between car and driver. The outstanding exterior and interior design will awaken the driver in you every time you see it, it's the Mazda Way.



Download
DRIVE TOGETHER APP



Scan Pages
CONTAINING THE MOBILE ICON



Explore
DIGITAL CONTENT

Enjoy Mazda's new DriveTogether App and get extra information on how our latest features can make your driving experience more enjoyable. All you have to do is download our Drive Together app on the AppStore or Google play. Look out for the mobile phone icon inside this brochure and scan it using the Drive Together app.





Model shown is Mazda CX-5 184ps AWD Sport Nav+ Diesel with optional Soul Red Crystal Metallic paint available at additional cost.

D E S I G N

G R A B T H E W H E E L

Mazda's exquisite KODO: Soul of Motion design evokes great beauty, sophistication and strength in Mazda CX-5. Combining these qualities our designers created the impression of refined toughness to the bold premium exterior, resulting in an elegant form that conveys a sense of agile acceleration and speed. The exquisite interior is the result of careful refinement through attention to each and every detail, ensuring comfort for both driver and passenger with the toughness that befits an SUV. The bold exterior design conveys the sense of mature dignity and elegance, the craft of TAKUMI-NURI, Mazda's high-quality painting technology has been created with a three-layer structure. This technology has been designed to express exceptional texture that gives the impression of a hand painted concept car. It enables the exceptional vividness and depth achieved in our new Soul Red Crystal Metallic and Machine Grey Metallic paint. Inside and out, the design draws car and driver closer together.





Model shown is Mazda CX-5 184ps AWD Sport Nav+ Diesel with optional Soul Red Crystal Metallic paint available at additional cost



Model shown is Mazda CX-5 184ps AWD Sport Nav+ Diesel with optional Soul Red Crystal Metallic paint available at additional cost.

A TRUE DRIVING EXPERIENCE

Engineered and crafted with upmost care to the tiniest detail, Mazda CX-5 makes an impression both visually and from a driver's perspective. The bold exterior shape that evolved from an expression of rhythm to one of pure speed is complemented with a luxurious and human-centric interior design. All major controls and meters in the cockpit wrap snugly around the driver in perfect symmetry, adding to the exhilarating tension between interior and exterior that makes the Mazda CX-5 a delight to drive. Inside and out, the car is built to create excitement and to enhance a driver's love of driving.



LED HEADLIGHTS



19" ALLOY WHEELS*



LED REAR LIGHTS

*Sport Nav+ models only



STONE LEATHER SEATS OPTIONAL ON SPORT NAV+ MODELS IN COMBINATION WITH SAFETY PACK



CLEAR POSITIONING OF INSTRUMENT PANEL



EXCLUSIVE BOSE® SPEAKERS PRECISELY POSITIONED FOR PREMIUM SOUND QUALITY




ENHANCED AERODYNAMICS FOR SUPERIOR DRIVING PERFORMANCE

T E C H N O L O G Y



30



25 mph  30

DUSE

B E I N C H A R G E

Mazda CX-5 connects you to the rest of the world. By using a compatible mobile device you can access thousands of internet radio stations from around the globe. Via the Bluetooth® connection you can safely check and reply to text messages and stream your choice of music. You can even keep up to date with Facebook and Twitter*. All of this is easily controlled by using the 7" colour touch-screen display and intuitive Multimedia Commander.

On Sport Nav+ models experience the innovative windscreen projected colour Active Driving Display (head-up display) which enhances safety by projecting all important driving information including turn-by-turn navigation, speed and traffic signs onto the windscreen.

*With a compatible mobile device. Data usage and costs will vary. For further information please refer to the infotainment specification table.





WINDSCREEN PROJECTED ACTIVE DRIVING DISPLAY (Sport Nav+ only)

An innovative and advanced system that cleverly projects essential driving information onto the windscreen in full colour.



POWER LIFTGATE (Sport Nav+ only)

Automatically open and close the boot with this useful power liftgate functionality.



EXQUISITE INTERIOR

With a sense of high quality from the exquisite finish, the interior is the result of careful refinement built on attention to each and every detail.



INTEGRATED NAVIGATION SYSTEM

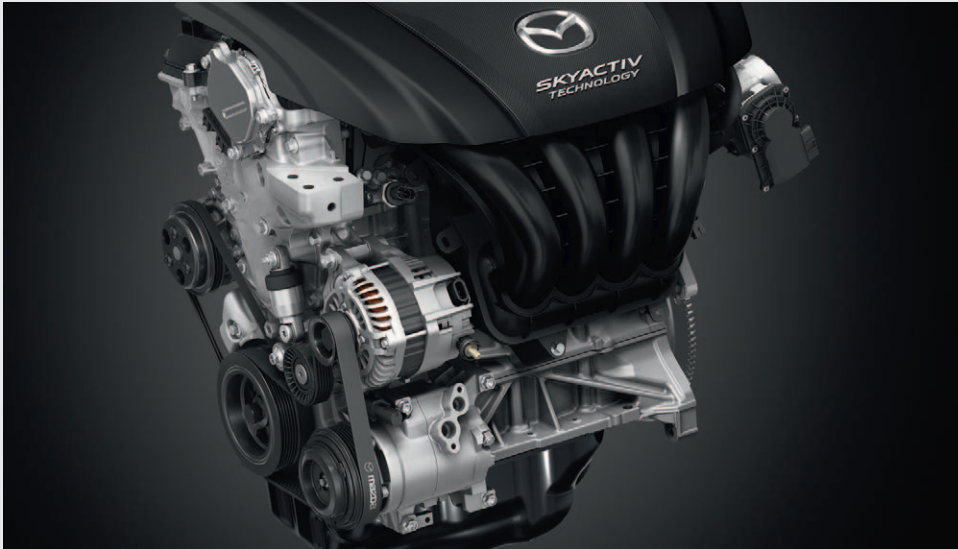
Plan your journey quickly and easily with the integrated navigation system conveniently displayed through the 7" colour touch-screen display and Active Driving Display. Select your choice of routes from fastest, shortest and most economical and stay up-to-date with 3-years free map updates.

S K Y A C T I V T E C H N O L O G Y

SKYACTIV Technology is all about making driving more fun, embracing all elements - engines, transmissions, chassis and body - it's an approach that completely reimagines the car from the ground up. Coupled with innovative technologies such as Mazda's i-stop and i-ACTIV All Wheel Drive which uses 27 individual sensors to provide optimal torque distribution and vehicle control whenever needed. SKYACTIV Technology enables Mazda CX-5 to deliver a unique mix of driving pleasure, balanced with outstanding environmental and safety performance.

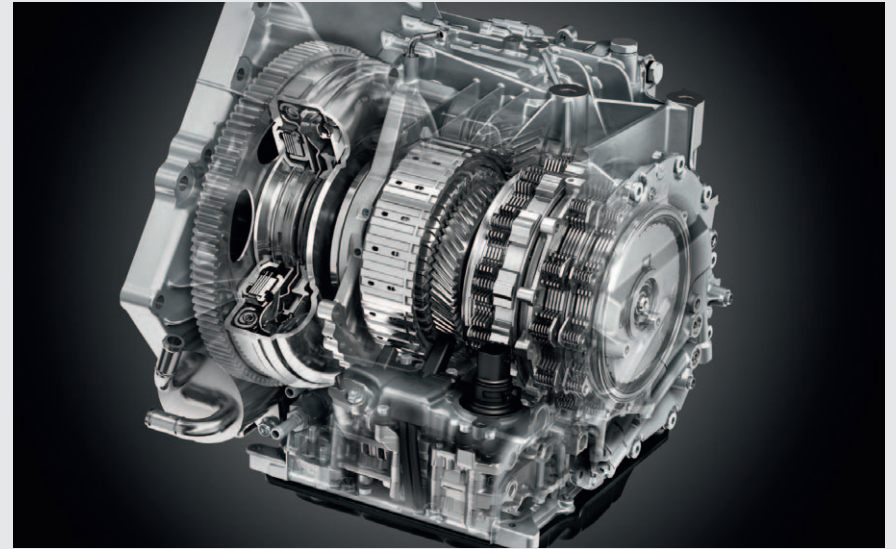


SKYACTIV BODY AND CHASSIS Improved lightweight chassis and body for greater ride comfort and security.
Model shown is Mazda CX-5 184ps AWD Sport Nav+ Diesel with optional Soul Red Crystal Metallic paint available at additional cost.



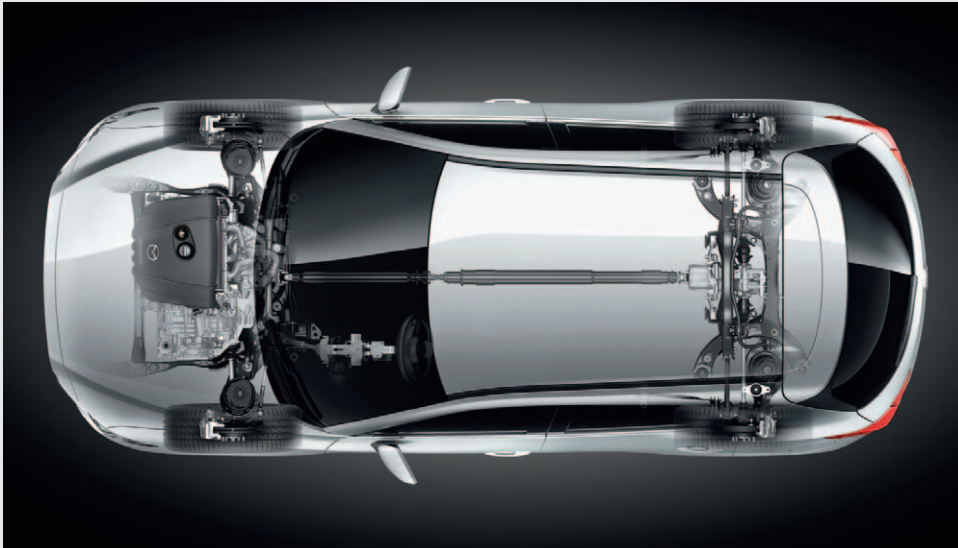
NEW BENCHMARKS FOR PERFORMANCE

Choose from the impressive 165ps SKYACTIV-G petrol engine with superior responsiveness and driving pleasure or the equally impressive SKYACTIV-D diesel engines available with either 150ps or 184ps power output. Both diesel engines feature a two-stage turbocharger boosting low and mid-range torque for a smoother and more exhilarating acceleration experience.



MORE POWER TO YOUR WHEELS

Supporting driving pleasure, the six-speed SKYACTIV-Drive automatic transmission offers a precise and crisp shift, with a kick-down switch providing a smoother feeling of linear acceleration by preventing unwanted downshifting. The six-speed SKYACTIV-MT manual transmission is compact and lightweight in design, resulting in a shift feel reminiscent of the legendary Mazda MX-5.



PRECISE AND COMFORTABLE HANDLING

The lightweight SKYACTIV-CHASSIS offers the perfect balance of agility and stability with exceptional handling and ride comfort. Coupled with steering which responds predictably to driver input, it delivers that 'fun to drive' element you have come to expect from Mazda.



WHEN BODY MEETS SOUL

Outstanding crash protection is possible thanks to the SKYACTIV-BODY which utilises lightweight, high-tensile steel. The lightweight, ultra strong and highly rigid body also contributes to a more rewarding and responsive drive.



Mazda CX-5

SKYACTIV
TECHNOLOGY

IT'S ALL ABOUT THE DRIVER

Mazda CX-5 contains an array of intelligent safety technologies that are designed to help you connect with your car and enjoy the drive. This is thanks to i-ACTIVSENSE technologies, an outstanding collection of safety features that use sensors and cameras to monitor your surroundings and provide protection and convenience. One of them is the 360° View Monitor*, which makes sure danger is detected from all sides of the car making you feel in control and aware. The result of this is a human-centric, controllable and predictable driving experience that maximizes the range of conditions where the driver can drive safely and with complete peace of mind.

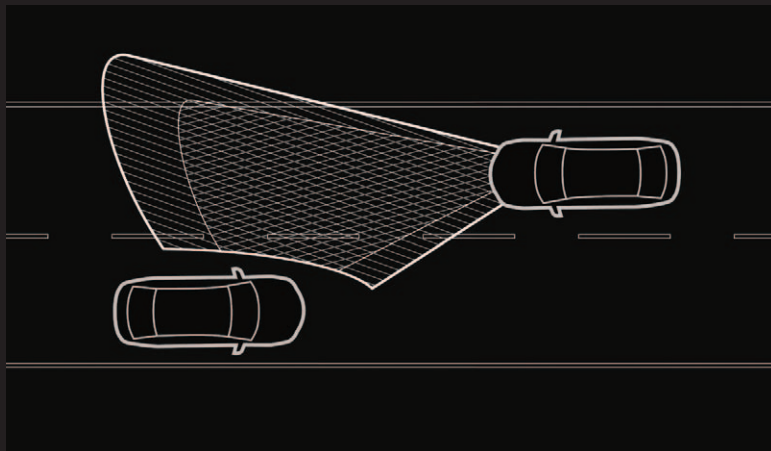
*Option only available with safety pack



5 star rated by the European New Car Assessment Programme. NCAP is a European car safety performance assessment programme which uses safety rankings where 5 is the highest.

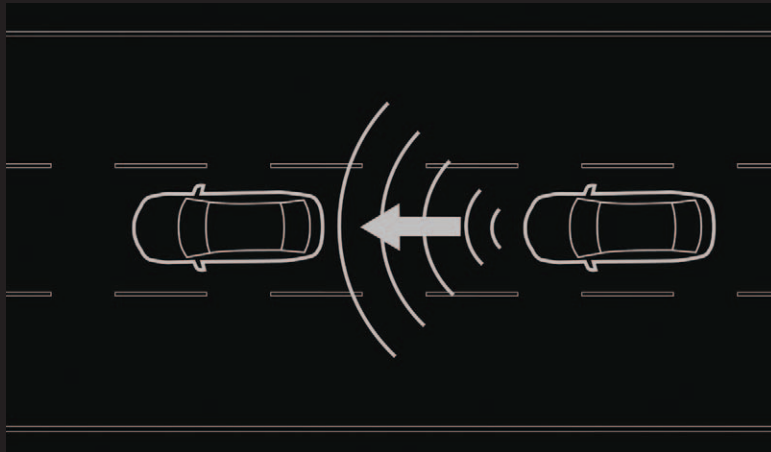
A D V A N C E D S A F E T Y T E C H N O L O G I E S

Engineered from the ground up to provide comprehensive all-round protection for you and your passengers, the active and passive safety systems in Mazda CX-5 work together to warn you of impending dangers, meaning less chance of a collision. Fitted with front, side and curtain airbags, combined with the rigid SUV body each technology of the i-ACTIVSENSE system ensures you remain safe, without reducing comfort or the harmonious relationship between car and driver.



ADAPTIVE LED HEADLIGHTS

Designed to work at night, the system automatically analyses vehicles ahead or those approaching in the opposite direction, and automatically switches between high and low beams by switching individual LED bulbs on and off as necessary. This makes it possible to drive with the high beam on at all times, significantly improving visibility when driving at night, without dazzling drivers of other vehicles.*

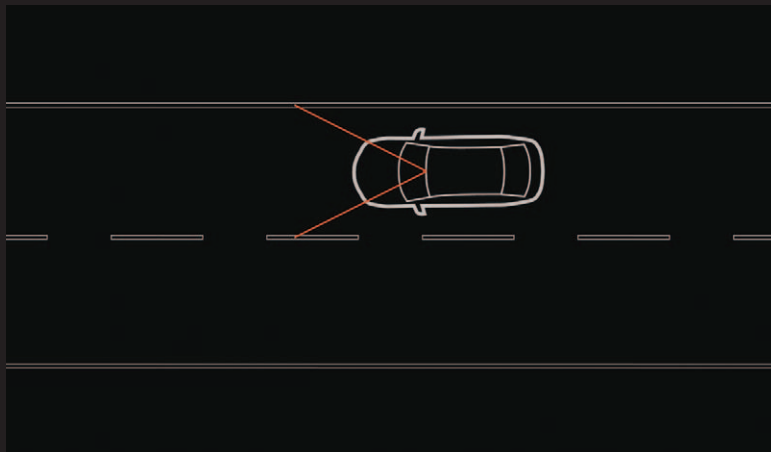


MAZDA RADAR CRUISE CONTROL

With the Mazda Radar Cruise Control (MRCC) turned on, vehicle speed is controlled automatically by accelerating or decelerating your car to maintain a safe driving distance from the car ahead. On manual models MRCC will function within a select range.

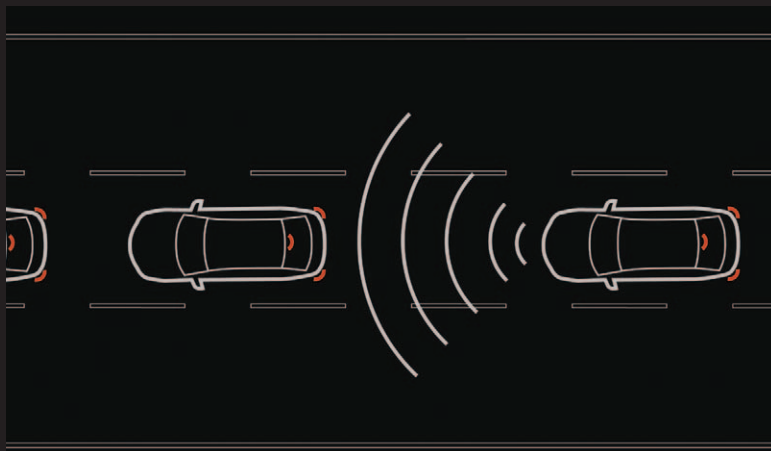
MRCC WITH STOP & GO FUNCTION (only available for automatic)

When driving with MRCC on Automatic models the car will automatically slow to a complete stop, matching the speed of traffic ahead. If the car ahead pulls away within three seconds after the car has stopped, the cruise control continues and the car will follow the car ahead with no action on the part of the driver. If the car is static for longer than three seconds after stopping the driver will control when the car starts moving again, the car will then automatically accelerate and follow the car ahead at the appropriate speed.



LANE-KEEP ASSIST SYSTEM

Lane-keep Assist is designed to prevent your vehicle from inadvertently straying from its lane. A front-view camera monitors the road ahead and calculates the car's position relative to the lane markings. If the system detects the vehicle is moving out of its lane unintentionally, the steering wheel will vibrate and an audible alert will sound, the system will also take corrective action to help you stay within the lanes through assisted steering.



ADVANCED SMART CITY BRAKE SUPPORT

Take the stress out of city driving with Advanced Smart City Brake Support. Designed to help avoid or minimise the effects of collisions at speeds up to approximately 31mph. The forward-facing camera and laser-based system continually monitors the gap and closing speed to the vehicle in front, and applies the brake if a collision is likely.



*Part of the optional Safety Pack available on Sport Nav+ models at additional cost.





C H O I C E S

SE-L NAV+

STANDARD FEATURES:

- 17" Alloy wheels
- LED headlights including LED daytime running lights
- LED front fog lights
- Adaptive Front lighting System
- Dusk-sensing lights
- Heated, auto power-folding door mirrors
- Front and rear parking sensors
- Black cloth seat trim
- Driver and front passenger seat height adjustment
- Rear seat recline
- Leather-wrapped steering wheel and gear knob
- 40/20/40 fold flat rear seats
- Electronic parking brake
- Rain-sensing front wipers
- Cruise control
- Front and rear electric windows
- Dual-zone climate control air-conditioning incl. 2 rear air vents
- Engine start / stop button
- 7" Colour touch-screen display and Multimedia Commander
- Internet app integration for internet radio, Facebook and Twitter*
- Integrated Bluetooth®
- AM / FM / DAB radio with 6 speakers, CD player, USB and iPod® connectivity
- Auxiliary (AUX) and 4 USB inputs (2 front and 2 rear)

OPTIONS:

- Steering wheel-mounted audio controls
- Integrated navigation system with 3-years free European map updates
- Advanced Smart City Brake Support
- Driver and passenger front, side and curtain airbags
- Dynamic Stability Control and Traction Control System
- Hill Hold Assist
- ISOFIX child seat anchorages
- Auto Door Locking
- Mazda Radar Cruise Control**
- Blind Spot Monitoring with Rear Cross Traffic Alert
- High Beam Control
- Lane Departure Warning
- Lane Keep Assist
- Metallic / Mica / Pearlescent paint

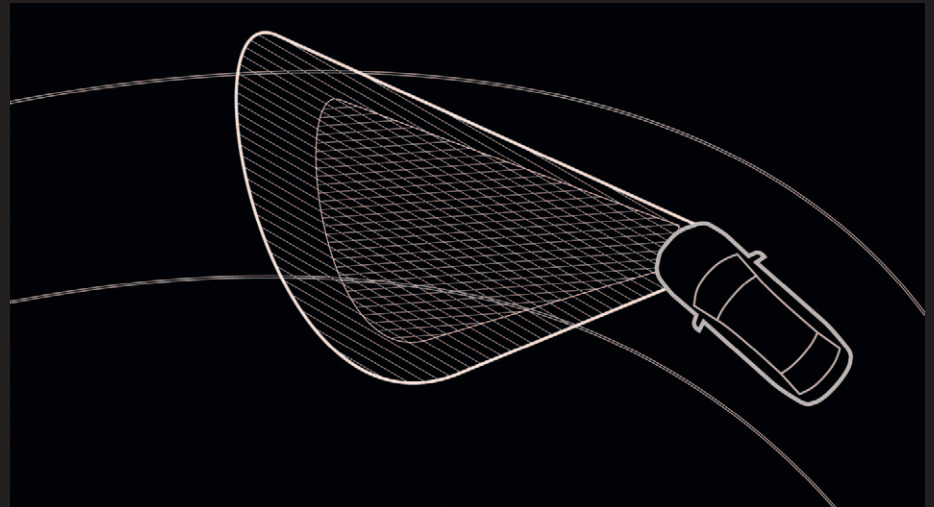


*with compatible mobile device. Data usage and costs will vary.
For further information please refer to the infotainment specification table.
**stop & go functionality in combination with MRCC only available on automatic models



FRONT AND REAR PARKING SENSORS

Detects obstructions around the vehicle when manoeuvring or parking by sounding an audible warning.



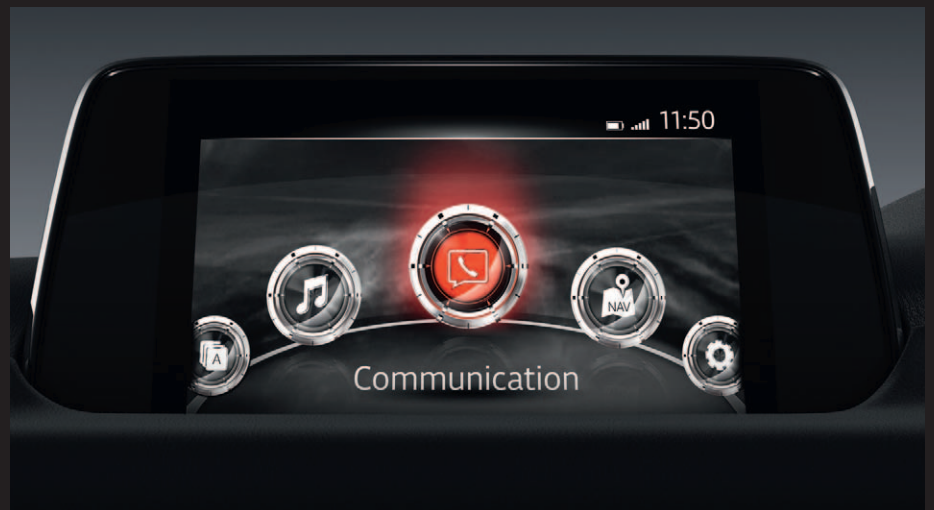
ADAPTIVE FRONT LIGHTING SYSTEM

Increase visibility when driving at night with Adaptive Front Lighting System. The system adjusts the LED headlights of the Mazda CX-5 when cornering to illuminate more of the road ahead, which could increase your ability to react to any potential obstacles.



DUAL-ZONE CLIMATE CONTROL AIR-CONDITIONING

Ensures that both driver and passenger ride in comfort with individual climate control zones, so you can instantly set it just the way you like it.



7" COLOUR TOUCH-SCREEN DISPLAY

Places information and entertainment at your fingertips.

SPORT NAV +

IN ADDITION TO SE-L NAV+ GRADE:

- 19" Metallic alloy wheels
- Reversing camera
- Power Liftgate
- Black leather seat trim
- 8-way power adjustable driver seat with memory
- 6-way power adjustable front passenger seat
- Power driver lumbar adjustment
- Heated front seats (3-stage settings)
- Heated steering wheel
- Windscreen projected colour Active Driving Display with memory
- Traffic Sign Recognition
- Smart keyless entry system
- Premium Bose® sound system with ten speakers
- Wiper de-icer
- Power tilt and slide sunroof (on 165ps Sport Nav+ and 184ps models only)

OPTIONS:

- Metallic / Mica / Pearlescent paint
- Stone leather seat trim*
- Safety Pack (Driver Attention Alert, Adaptive LED Headlights, Rear Smart City Brake Support, 360° View Monitor)



*Only available in combination with safety pack





POWER LIFTGATE

Automatically open and close the boot with the handy power liftgate functionality. You can easily open from inside the car, with the button on your smart key or directly via a button on the boot itself. There's also a sensor that will stop the boot moving if anything gets in its way.



WINDSCREEN PROJECTED ACTIVE DRIVING DISPLAY

The colour Active Driving Display projects essential information including speed, turn-by-turn navigation and traffic signs onto the windscreen, meaning you can focus on the road ahead whilst conveniently being kept updated on important information.



360° VIEW MONITOR*

As part of the Safety Pack the 360° View Monitor feature provides a clear 360° view of your surroundings when parking, assisting you in safely manoeuvring.



PREMIUM BOSE® SOUND SYSTEM

The sensational Bose® sound system was specifically designed for CX-5, with 10 precisely positioned speakers that create clear, harmonic sound to keep you entertained as you drive.

*Option only available on Sport Nav+ models

ACCESSORIES



BRILLIANT BLACK FRONT AND SIDE AIRDAM SKIRTS



BLACK MIRROR CAPS



SILVER MIRROR CAPS



SIDE AIRDAM SKIRT



REAR UNDER SKIRT



FRONT UNDER SKIRT



ILLUMINATED SCUFF PLATES

A C C E S S O R I E S



INTERIOR LIGHTING KIT



MUD FLAPS FRONT



WELCOME ILLUMINATION



ROOF RAILS



REAR UNDER GARNISH



CROSS BARS FOR ROOF RAILS

SPECIFICATIONS

Model Availability	2.0 SKYACTIV-G Petrol 2WD 165ps Manual	2.0 SKYACTIV-G Petrol 2WD 165ps Automatic	2.2 SKYACTIV-D Diesel 2WD 150ps Manual	2.2 SKYACTIV-D Diesel 2WD 150ps Automatic	2.2 SKYACTIV-D Diesel AWD 184ps Manual	2.2 SKYACTIV-D Diesel AWD 184ps Automatic
SE-L Nav+	●	●	●	●	–	–
Sport Nav+	●	●	●	●	●	●

Engine Type						
Displacement (cc)	1,998	1,998	2,191	2,191	2,191	2,191
Bore x stroke (mm)	83.5x91.2	83.5x91.2	86.0x94.3	86.0x94.3	86.0x94.3	86.0x94.3
Valves per cylinder	4	4	4	4	4	4
Maximum output [ps (KW) / rpm]	165 (121) / 6,000	165 (121) / 6,000	150 (110) / 4,500	150 (110) / 4,500	184 (135) / 4,000	184 (135) / 4,000
Maximum torque (Nm / rpm)	213 / 4,000	213 / 4,000	380 / 1,800-2,600	380 / 1,800-2,600	445 / 2,000	445 / 2,000
Compression ratio	13.0:1	13.0:1	14.4:1	14.4:1	14.4:1	14.4:1
i-stop system	●	●	●	●	●	●

Transmission						
Type	6-speed manual	6-speed automatic	6-speed manual	6-speed automatic	6-speed manual	6-speed automatic
Drive system	2WD	2WD	2WD	2WD	AWD	AWD
Gear ratios:						
1 st	3.700	3.552	3.357	3.487	3.357	3.487
2 nd	1.947	2.022	1.826	1.992	1.826	1.992
3 rd	1.300	1.452	1.565	1.449	1.565	1.449
4 th	1.029	1.000	1.147	1.000	1.147	1.000
5 th	0.837	0.708	0.893	0.707	0.893	0.707
6 th	0.680	0.599	0.745	0.600	0.745	0.600
Reverse	3.724	3.893	4.091	3.990	4.091	3.990
Final gear ratio	4.388	4.624	1 st -2 nd 4.105 3 rd -6 th 3.12	4.090	1 st -2 nd 4.388 3 rd -6 th 3.291	4.090

Steering						
Steering gear	Electronic Power Assist System (EPAS) rack and pinion					
Minimum turning circle (wall-to-wall) (m)	12	12	12	12	12	12

Performance and Economy						
Acceleration (0-62 mph in sec)	10.3	9.8	9.9	10.7	9.3	9.6
Top speed (mph)	125	119	127	124	129	129

Fuel consumption ¹⁾ [mpg / (l/100 km)]:	Urban	36.7 (7.7)	36.2 (7.8)	50.4 (5.6) / 51.4 (5.5)	46.3 (6.1)	48.7 (5.8)	45.6 (6.2)
	Extra Urban	50.4 (5.6)	47.9 (5.9)	61.4 (4.6) / 62.3 (4.5)	55.4 (5.1)	58.9 (4.8)	55.4 (5.1)
	Combined	44.1 (6.4)	42.8 (6.6)	56.5 (5.0) / 57.6 (4.9)	51.4 (5.5)	54.3 (5.2)	51.4 (5.5)
CO ₂ emissions ¹⁾ (g/km)		146 / 145	150	130 / 128	143	137	145
EC emission level		Euro Stage6d Temp	Euro Stage6d Temp	Euro Stage6d Temp	Euro Stage6d Temp	Euro Stage6d Temp	Euro Stage6d temp
Recommended fuel		Unleaded 95 RON	Unleaded 95 RON	Diesel	Diesel	Diesel	Diesel
Fuel tank capacity (litres)		56	56	56	56	58	58

● = Available; – = Not available.

¹⁾ Vehicles are homologated in accordance with the new type approval procedure WLTP (Regulation (EU) 2017/1151; Regulation (EC) 715/2007). To provide comparability the referred values are NEDC values determined in line with Implementation Regulation (EU) 2017/1153. Figures on the left apply to models fitted with 17" wheels as standard (SE-L Nav+) whilst figures on the right apply to models fitted with 19" wheels as standard (Sport Nav+).

Dimensions and Weights

	2.0 SKYACTIV-G Petrol 2WD 165ps Manual	2.0 SKYACTIV-G Petrol 2WD 165ps Automatic	2.2 SKYACTIV-D Diesel 2WD 150ps Manual	2.2 SKYACTIV-D Diesel 2WD 150ps Automatic	2.2 SKYACTIV-D Diesel AWD 184ps Manual	2.2 SKYACTIV-D Diesel AWD 184ps Automatic
Overall length/width*/height ¹⁾	4,550/1,840/1,675 (1,680)					
Ground clearance (mm) between the axles - unladen	17":192 19":200	17":192 19":200	17":192 19":200	17":192 19":200	17":192 19":200	17":192 19":200
Front track / rear track (mm)	1,595/1,595					
Wheelbase (mm)	2,700	2,700	2,700	2,700	2,700	2,700
Front headroom ²⁾ / leg room / shoulder room (mm)	1,007 (999)/ 1,041/1,451	1,007 (999)/ 1,041/1,451	1,007/ 1,041/1,451	1,007/ 1,041/1,451	1,007 (999)/ 1,041/1,451	1,007 (999)/ 1,041/1,451
Rear headroom / leg room / shoulder room (mm)	991/1,007/1,391	991/1,007/1,391	991/1,007/1,391	991/1,007/1,391	991/1,007/1,391	991/1,007/1,391
Cargo volume, acc. to VDA (l) ³⁾ :	5-seat mode (to belt line)	506	506	494	494	494
	2-seat mode	1,377	1,377	1,365	1,365	1,365
Ventilated front disc diameter (mm)	297	297	320	320	320	320
Rear disc diameter (mm)	303	303	303	303	303	303
Kerb weight (kg) incl. driver (75 kg)	1,595	1,635	1,730	1,755	1,810	1,820
Permitted gross vehicle weight (kg):	Total	2,020	2,035	2,130	2,143	2,220
	Front rear	1,015/1,005	1,040/995	1,120/1,010	1,132/1,011	1,155/1,065
Permitted axle load, front / rear (kg)	1,035/1,085	1,065/1,075	1,140/1,090	1,155/1,090	1,175/1,145	1,185/1,145
Towing limit (kg) ⁴⁾ :	Unbraked	750	750	750	750	750
	Braked	1,800	2,000	2,000	2,000	2,000
Maximum roof load (kg)	RoofRail:75 kg RoofCarrier:50 kg	RoofRail:75 kg RoofCarrier:50 kg	RoofRail:75 kg RoofCarrier:50 kg	RoofRail:75 kg RoofCarrier:50 kg	RoofRail:75 kg RoofCarrier:50 kg	RoofRail:75 kg RoofCarrier:50 kg

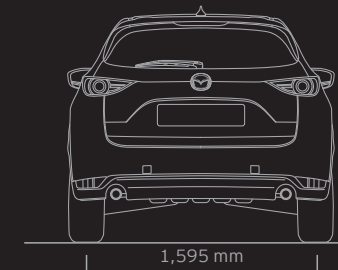
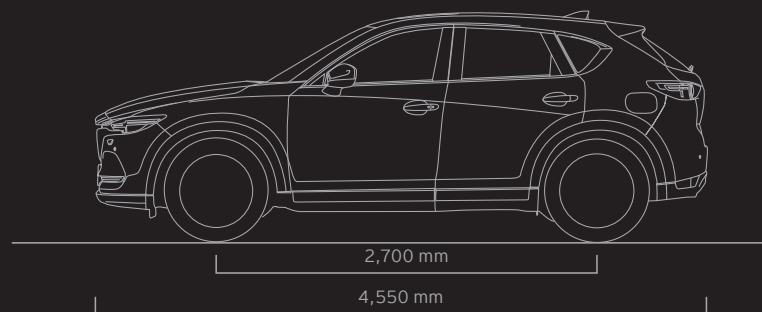
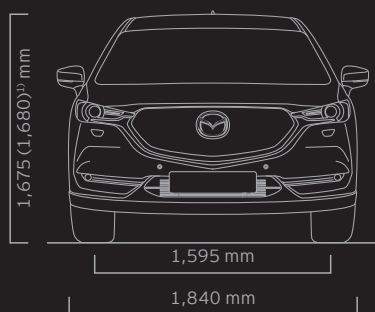
* Vehicle width excludes mirrors. Figures in brackets apply to models with 19" alloy wheels

¹⁾ Figures in brackets are for 19" alloy wheels

²⁾ Figures in brackets are for vehicles fitted with Sunroof

³⁾ When including storage tray.

⁴⁾ Towing capacity is based on a 12% gradient and tested in accordance with 92/21/EEC as amended by 95/48/EC.



SPECIFICATIONS

Safety and Security

	SE-L Nav	Sport Nav
MRCC with stop and go function (Stop & Go Automatic models only)	●	●
Smart City Brake Support with forward obstruction warning	●	●
High Beam Control (HBC)	●	●
Advanced Blind Spot Monitoring with Rear Cross Traffic Alert	●	●
Lane-keep Assist System with Driver Attention Alert	●	●
Auto door locking	●	●
Secondary Collision Reduction	●	●
Dynamic Stability Control (DSC) with Traction Control System (TCS)	●	●
Hill Hold Assist	●	●
Tyre Pressure Monitoring System	●	●
Dual front airbags	●	●
Front side airbags	●	●
Front and rear curtain airbags	●	●
Passenger airbag cut-off switch	●	●
Seatbelt reminder audible warning:	Driver, passenger and rear seats	●
Seatbelts:	Front, 3-point (ELR) x 2 with pre-tensioners	●
	Rear, 3-point (ELR)	●
ISOFIX child seat anchorage; attached to outer rear seats	●	●
Thatcham Category 1 alarm and immobiliser	●	●
Adaptive LED Headlights	–	□
Rear Smart City Brake Support	–	□
Driver Attention Alert	–	□
360 View Monitor	–	□

Additional Safety and Security Options

Baby and child seats:	Baby Safe Plus (up to 13 kg)	Please contact your local dealer for further information and availability
	ISOFIX Duo Plus (9-18 kg)	
	Kid Plus (15-36 kg)	

● = Standard; – = Not available; □ = Part of an Optional Safety Pack for Sport Nav Diesel models. Available at additional cost.

Comfort and Convenience		SE-L Nav+	Sport Nav+
Remote central locking with deadlocking		●	●
Smart remote keyless entry system with link to driver's seat and head-up display position memory via smart key		–	●
Engine start / stop button		●	●
Wiper de-icer		–	●
Power steering:	Electric	●	●
Cruise control:	With manual speed adjustment	●	●
Electric windows:	Front and rear, with one-touch auto down / up and timer function	●	●
Air conditioning:	Dual-zone climate control	●	●
	Rear air vents	●	●
Sunvisors:	Driver's and front passenger's with covered mirror, illumination and driver's ticket holder	●	●

Additional Comfort and Convenience Options

Front and rear floor mats:	Carpet floor mat, 'Standard', black Carpet floor mat, 'Luxury', black	Please contact your local dealer for further information and availability
Rear bumper step plate		
Sunblind:	Rear side of door windows, with black semi-transparent mesh	
Mini combi bag:	Including first aid kit, warning triangle and high visibility vest	
Baby care mirror		
Garment hanger		

Infotainment

Multimedia Commander:	Located between the driver and front passenger, the Multimedia Commander allows easy control of the advanced connectivity and infotainment system, with information displayed on the 7" colour touch-screen, includes a separate volume control dial	●	●
Mazda Multimedia System:	AM / FM / DAB radio, single CD / MP3, six speakers	●	–
	AM / FM / DAB radio, single CD and premium Bose® sound system (Audiopilot™2 plus Centerpoint™2 and ten speakers)	–	●
	7" Colour touch-screen display	●	●
	USB / iPod connectivity ²⁾	●	●
	Steering wheel-mounted audio and Bluetooth® controls	●	●
Mazda Navigation System:	Auxiliary (AUX) and 4 USB inputs (2 front and 2 rear)	●	●
	European mapping with alternative route calculations, point of interest search and 3-years free map updates Premium Connected Services including live traffic and weather information, fuel prices and local search ³⁾	●	●
Integrated Bluetooth ²⁾ :	Allows hands-free calling and easy access to phone contacts via touch- screen or commander as well as voice activation function	○	○
	Audio transfer from Bluetooth® devices ⁴⁾	●	●
	Aha™ app and Stitcher™ app integration for internet radio, Facebook and Twitter functionality ⁴⁾	●	●

● = Standard; – = Not available; ○ = Option available at additional cost.

¹⁾ Available on 175ps Sport Nav Automatic Diesel models in combination with optional Safety Pack available at additional cost. Not available with Stone leather.

²⁾ Please refer to www.mazdahandsfree.co.uk for the latest information regarding compatibility and functionality of mobile and audio devices.

³⁾ Connected Services are a subscription service. A 60-day free trial is included with your navigation system and commences the first time you connect the car to a Wi-Fi hotspot. After the free trial has finished you must purchase a subscription to continue using Connected Services. Please visit mazda.co.uk/mzd-connect/navigation for more information.

⁴⁾ Requires a compatible mobile device. Aha™/Stitcher™ apps need to be downloaded to mobile device and app registration completed before connection. Data usage and costs will vary, please contact your network provider for more information.

Please visit mazda.co.uk/mzd-connect for more information.

SPECIFICATIONS

Interior		SE-L Nav	Sport Nav
Meter set display:	Windscreen projected colour Active Driving Display with Traffic Sign Recognition (colour head-up display) - Shows vehicle speed, warnings and turn-by-turn navigation	-	●
	Trip computer	●	●
Seats:	Driver's seat, manual lumbar adjustment	●	-
	Driver's seat, manual slide, recline and height adjustment	●	-
	Driver's seat, power lumbar adjustment	●	●
	Driver's seat, power slide, recline and height adjustment with memory function linked to smart key	-	●
	Front passenger's seat, manual slide, recline and height adjustment	●	-
	Front passenger's seat, power slide, recline and height adjustment	-	●
	Premium black cloth trim	●	-
	Black leather seats ¹⁾	-	●
	Stone leather seats ²⁾	-	○
	Heated front seats (3-stage settings)	-	●
Rear seats:	Manual recline adjustment	●	●
	Head restraints	●	●
	Centre armrest with two cup holders	●	●
	40/20/40 Karakuri fold-flat seat system	●	●
Steering wheel:	Leather-wrapped	●	●
	Tilt and height adjustment	●	●
	Heated	-	●
Gear knob:	Leather-wrapped	●	●
Grab handles:	Front passenger's and two rear, with coat hooks	●	●
Auto-dimming rear-view mirror		●	●
Electronic parking brake:	With auto-disengage function	●	●
Storage spaces:	Glovebox, with illumination	●	●
	Seatback pocket (driver and front passenger)	●	●
	Door pockets (driver, front passenger and rear)	●	●
	Front centre console with storage box	●	●
	Inside front centre armrest	●	●
	Two cup holders between driver and passenger seat	●	●
Dome interior courtesy light, with integrated spotlight		●	●
Luggage compartment:	Light	●	●
	Power outlet	●	●
	Karakuri Tonneau cover	●	●

Additional Interior Options		
Scuff plates:	Front and rear stainless steel with illuminated red 'CX-5' logo on the front scuff plates	Please contact your local dealer for further information and availability
Audio systems:	AUX jack audio cable for MP3 compatibility, USB for iPod / iPhone / iPad	
Cigar lighter		
Ashtray		
Cup holder organiser		
Welcome illumination for front footwell (driver and passenger side LED lighting)		
Interior LED lighting kit		
Luggage compartment:	Boot light	
	Boot liner	
	Boot mat with rear bumper protector	
	Boot net	
	Boot storage system	
	Dog guard	
First aid kit		
Cool and warm box		

● = Standard; - = Not available; ○ = Option available at additional cost.
¹⁾ Leather refers to centre seat facing and side support.
²⁾ Only available in combination with safety pack.

Exterior		SE-L Nav	Sport Nav
Tyres and wheels:	225/65 R17 with 17" alloy wheels 225/55 R19 with 19" Metallic alloy wheels	●	–
Emergency tyre repair kit		–	●
Metallic / Mica / Pearlescent paint		○	○
Bumpers, front and rear:	Body-coloured	●	●
Rear roof spoiler:	Body-coloured	●	●
Power liftgate		–	●
Privacy glass:	Rear side and rear windows	●	●
Wipers:	Front, rain-sensing wipers Rear, adjustable speed with intermittent wipe	●	●
Headlights:	LED, with auto headlight levelling	●	●
	Adaptive Front lighting System (AFS)	●	●
	Dusk-sensing headlights	●	●
	LED daytime running lights	●	●
	Coming home / leaving home lights	●	●
Front fog lights:	LED	●	●
Sunroof 1):	Power tilt and slide	–	● ¹⁾
Front and rear parking distance sensors	Acoustic and visual notification indicating the distance to obstacles for the front and rear of the Mazda CX-5. Visual display is through the 7" colour display	●	●
Reversing camera	With dynamic parking guidance lines shown on the 7" colour display	–	●
Shark fin antenna		●	●
Door mirrors:	Electrically-adjustable, heated auto power-folding mirrors with integrated indicators	●	●
Dual exhaust system		● ²⁾	● ²⁾

Additional Exterior Options

Tyres and wheels:	225/65 R17 with 17" alloy wheels (Design 57) 225/65 R17 with 17" alloy wheels (Design 57A)	Please contact your local dealer for further information and availability	
Aero kit:	Front Under Skirt		
	Rear Under Skirt		
	Side Airdam Skirt		
Underbody garnish:	Front and rear		
Mudflaps:	Front		
	Rear		
Rear bumper step protector:	Stainless steel		
Roof carrier system:	Attachment for skis / snowboards		
	Attachment for bicycles		
	Roof rails		
	Cross bars for roof rails		
	Roof rack		
	Roof box, Pacific 200		
Tow bar:	Roof box, Pacific 780		
	Roof box, Ranger 90		
	Detachable		
	Attachment for bicycles		
	Rear fog light kit for bicycle carrier		
	Tow bar harness (available in 7-pin and 13-pin)		

● = Standard; – = Not available; ○ = Option available at additional cost.

¹⁾ 165ps Sport Nav+ and 184ps AWD models only.

²⁾ Only on petrol models, diesel models feature a single exhaust.

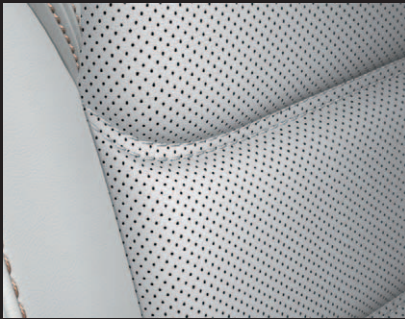
T R I M S



BLACK CLOTH (SE-L NAV+)



BLACK LEATHER
(SPORT NAV+)



STONE LEATHER OPTIONAL
ON SPORT NAV+ MODELS IN
COMBINATION WITH SAFETY
PACK

W H E E L S

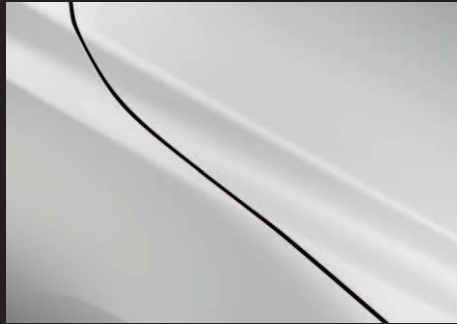


17" ALLOY WHEEL
(SE-L+ NAV)

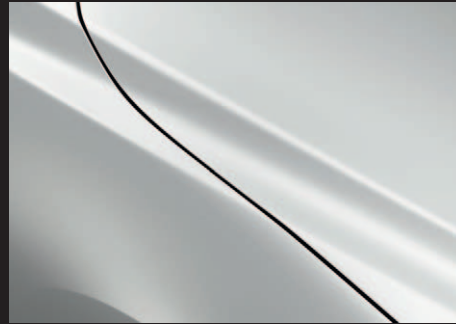


19" METALLIC ALLOY
WHEEL (SPORT NAV+)

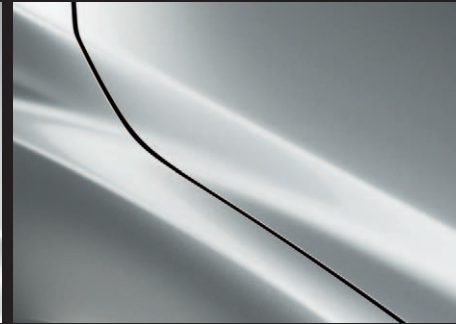
COLOURS



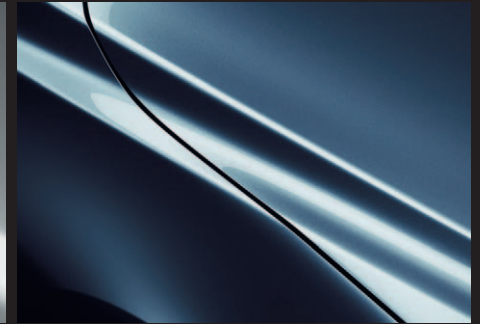
Arctic White Solid



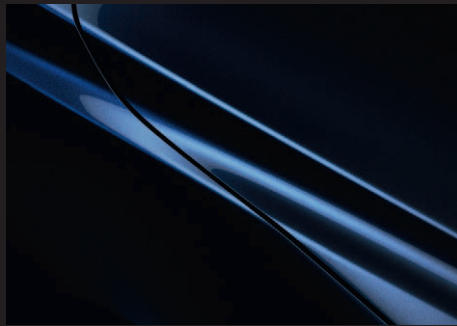
Snowflake White Pearlescent



Sonic Silver Metallic



Eternal Blue Mica



Deep Crystal Blue Mica



Jet Black Mica



Machine Gray Metallic



Soul Red Crystal Metallic

Model	Exterior colour							
	Arctic White (A4D)	Snowflake White Pearlescent (25D)	Sonic Silver Metallic (45P)	Eternal Blue Mica (45B)	Deep Crystal Blue Mica (42M)	Jet Black Mica (41W)	Machine Grey Metallic (46G)	Soul Red Crystal Metallic (46V)
SE-L Nav	●	○	○	○	○	○	○	○
Sport Nav	●	○	○	○	○	○	○	○

● = Available; ○ = Available at additional cost

OUR COMMITMENT TO YOU AND YOUR MAZDA

MY MAZDA APP

Designed exclusively for Mazda owners, it lets you access important vehicle information, as well as being able to locate your nearest Mazda dealer and track your vehicle service history.

SERVICE AND WARRANTIES

Just like the cars themselves, the services we offer are designed to provide you with a first-class ownership experience. Every new vehicle is covered by a 3-year warranty for up to 60,000 miles, including a 3-year paintwork warranty, and a 12-year perforation warranty. We also offer Extended Warranties to extend the cover for your Mazda. Mazda Roadside Assistance offers cover in the event you require breakdown assistance, your vehicle is stolen or is involved in an accident.

The maximum service interval for your Mazda is 12,500 miles or 12 months whichever occurs first, however, the servicing intervals may reduce based on the style of driving and the conditions under which your vehicle is operated.

FREE MAZDA ACCIDENT AFTERCARE

Mazda Accident Aftercare is designed to assist you following a road traffic accident. Call Mazda First after an accident and they will liaise directly with your insurer to process the claim and ensure that your vehicle is repaired at a Mazda approved bodyshop using only genuine Mazda parts, additional benefits include providing you with a free courtesy car and maintaining your Mazda warranties.

OUR COMMITMENT TO YOU AND YOUR MAZDA

Mazda makes cars that excite, look beautiful, are fun to drive and make you want to drive them again and again. We are passionate about delivering complete motoring confidence and a first-rate ownership experience.

FINANCE

As well as vehicle warranty and service plans, we offer finance packages to help ensure a rewarding ownership experience. Mazda Financial Services provides a variety of finance products to suit the needs of both private and business customers.

WHAT YOU CAN EXPECT FROM MAZDA FINANCIAL SERVICES:

- Assistance in renewing your car. We'll help you choose the right finance package to enable you to renew your Mazda car as often as you would ideally like
- Fixed Interest Rates. The interest rate on your loan is fixed for the duration of the agreement
- Flexible terms tailored to your motoring needs. As specialists in Mazda vehicles we aim to tailor a finance package to both your budget and your motoring / ownership needs. Please ask your sales executive for a tailor-made finance quote for your new car.

MAZDA FINANCIAL SERVICES FINANCE PLANS:

MAZDA CONDITIONAL SALE:

The traditional way of buying your car. Mazda Conditional Sale is a simple way of financing that provides you with certainty due to a fixed interest rate and fixed monthly repayments throughout the agreement. Your initial deposit and repayment period can be structured to help meet your budget and the length of time you expect to keep the car. You can trade in your existing vehicle and put this towards the initial deposit, or if you wish, just put down a cash deposit. At the end of your contract, when all repayments have been made, the car is yours.



MAZDA PERSONAL CONTRACT PURCHASE:

The finance plan that could help you change your Mazda car at more regular intervals.

Personal Contract Purchase is similar to a Conditional Sale agreement but with additional flexibility since part of the vehicle cost is deferred until the end of the agreement which may give you the benefit of lower monthly repayments.

The deferred amount is known as the Guaranteed Future Value or Optional Final Payment.

At the end of your contract, when all repayments have been made, you then have three options:

- **Renew:** Choose another Mazda. Use any excess value above the Optional Final Payment towards a deposit for another Mazda. You can trade in your car at any time or sell it privately having settled your account
- **Retain:** Keep the car. Simply pay the Optional Final Payment, and the car is yours
- **Return your car:** There's nothing more to pay if the car's in good condition and within the agreed mileage

MAZDA CONTRACT HIRE

Mazda Financial Services Contract Hire offers low running costs with market-driven residual values, resulting in extremely competitive costs for businesses and individuals. To find out more about the benefits of Mazda Financial Services Contract Hire, please speak to your Mazda dealer or visit www.mazda.co.uk.

T&Cs apply. You can never own the vehicle. Finance subject to status. Guarantees may be required. 18s or over. Mazda Financial Services Contract Hire. RH1 1SR

For further information, please visit

<http://www.mazda.co.uk/buying-owning/buying/personal-finance/>

Finance subject to status. Terms and conditions apply. 18s and over. Guarantee may be required. Mazda Financial Services RH1 1SR.

CUSTOMER EXPERIENCE

Start your journey with Mazda using the Configurator on the Mazda website.

It lets you customise a digital vehicle, letting you choose from a selection of engines, trims, exterior colours and accessories. Discover the benefits of becoming part of the community that defies convention with My Mazda - the online home for all Mazda owners. The service lets you view and update your personal information using the Mazda Digital Service Record (DSR), which provides security against counterfeit service documents and guarantees a secure, accurate and permanent service history for the life of the vehicle. You can also explore Facebook, Twitter and YouTube for even more Mazda related material. Whatever journey you take with Mazda, we'll make sure it's a unique and gratifying experience.

SKYACTIV TECHNOLOGY - HELPING YOU STAY EFFICIENT

Although we develop exciting cars that are fun to drive, we are equally committed to the environment and to the creation of a sustainable future for all. Our ongoing sustainability programmes are dedicated to the development of clean technologies. Our SKYACTIV Technology range includes engines, transmissions, chassis and body designs, which deliver fuel-efficient and economical driving. Our engines deliver the perfect combination of performance and improved driving economy by being lighter and more fuel-efficient than many of our competitors.

Looking for more information?

Learn more about our dedication to delivering a unique customer experience online at:



www.mazda.co.uk



facebook.com/mazdauk



twitter.com/mazda_uk



youtube.com/mazdauk

Mazda Motors UK reserves the right to introduce changes in specification and equipment due to its ongoing product development. Colour and trim samples shown in this brochure may vary from the actual colours because of the limitations of the printing process. Models shown may not be to UK specification. It is recommended that you consult your Mazda dealer when referring to these.

Facebook, Twitter, iPod®, Stitcher™, aha™ and Bose® are registered trademarks in the U.S. and other countries. Used with permission.

The Bluetooth® word mark and logos are owned by the Bluetooth SIG, Inc. and any use of such marks by Mazda Motor Company is under licence. Other trademarks and trade names are those of their respective owners.

September 2018
Part Number: 810079258

Internet: www.mazda.co.uk
Mazda Helpline: 03457 48 48 48
UK-EN / C4

